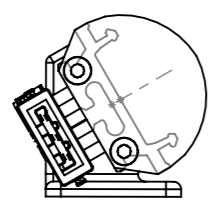
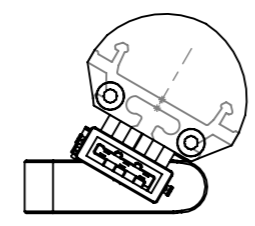


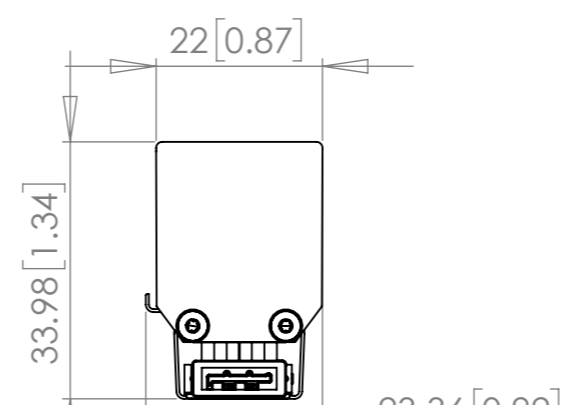
Bracket 0°
Scale: 1:1



Bracket 60°
Scale: 1:1



Positioning hinge
Scale: 1:1



Linestra lens
Scale: 1:1



Lindberghstrasse 15
86343 Königsbrunn

Tel.: +49 8231 95787 0
info@biontechnologies.com
www.biontechnologies.com

Description	tantulus eco / hp indoor
Date/Revision	20201116/02
Scale	1:5
Dimensions are in millimeters [inch] All product specifications are subject to change without prior notice.	

NOTE: All copyrights, trademarks, patents and other rights in connection herewith are expressly reserved to BION TECHNOLOGIES GMBH and no license is created or granted hereby.